

## SecurePlus Flip Lid<sup>sk</sup>

Security at the point of sale is becoming increasingly vital to all retailers. Cash Bases have recognised this need and developed the SecurePlus portfolio, which ensures that both checkout staff and cash are protected.

### DESCRIPTION

Based on the SecurePlus Standard, this model has the unique and ingenious 'self-skimming' facility.

### FEATURES

- Robust steel construction
- Drawer status micro switch
- Heavy duty latching mechanism
- Unique 'skimming' note compartment
- Steel drop box for note storage
- Steel face plate\*\*
- Radial pin tumbler lock\*\*

### OPTIONS

- Choice of CashPlus Flip Lid\* or SecurePlus Flip Lid\*\*
- Wide range of plastic or steel inserts
- Fixed or removable coin cups
- Coin cups suitable for weigh counting
- Anti grab flap over the note compartment
- Media posting slot
- Lockable lid for the insert
- Integral lockable lid\*
- Emergency key release or 3 position\*
- Alike or random lock\*
- No lock
- Stainless steel finish for the lid

### SPECIFICATION

#### FL-460

- Width: 460mm
- Depth: 172mm\* 175mm\*\*
- Height: 100mm\*
- Weight moulded insert: 5kg\*\*\*
- Weight universal insert: 7kg\*\*\*

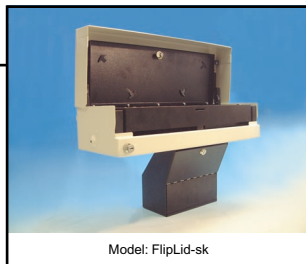
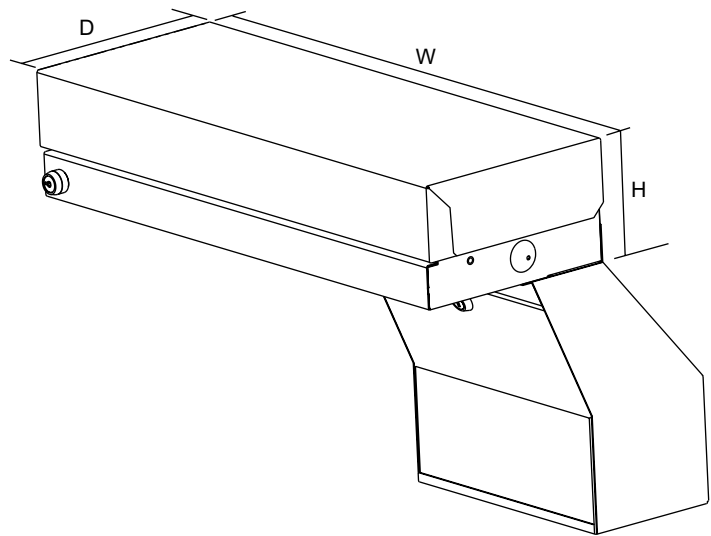
#### FL-490

- Width: 490mm
- Depth: 172mm\* 175mm\*\*
- Height: 110mm\*

### IDEAL FOR

- Supermarkets
- Hypermarkets
- Petrol Forecourts

\*Applies to CashPlus Flip Lid only  
 \*\*Applies to SecurePlus Flip Lid only  
 \*\*\*Does not include skimmer unit



UK/SP-FLIPLIDSK0803

Specification may be subject to change without notification

## SECUREPLUS

CASH BASES LTD ■ NEWHAVEN, EAST SUSSEX BN9 0LA ■ UK ■ [www.cashbases.net](http://www.cashbases.net)  
 TEL: +44 [0] 1273 616300 ■ FAX: +44 [0] 1273 512010 ■ EMAIL: [sales@cashbases.co.uk](mailto:sales@cashbases.co.uk)